



# SCHOONER PO

single lever sink mixer with swivel spout  
and double function stainless steel pull-out spray

SPECIFICATIONS	
Brand Name	A2F®
Model Name	Schooner PO
Product ID	K.10.11.0.13.01.00 (natural stainless steel version)
Product Type	Kitchen mixer
Product Description	Single lever sink mixer with swivel spout and double function stainless steel pull-out spray
Application	Kitchen sink
Manufacturing Material	100% Stainless Steel AISI 304
Finishing	Satin
Colours	Natural Stainless Steel (standard) – PVD finishing (on demand)
Hydraulic Components	
Inlet type	3/8" flexible supply hoses Neoperl® Parigi® NEOFLEX® Softpex® for excellent hygiene
Outlet type	flow controlled aerator Neoperl® Perlator® Honeycomb
Flow Rate Restricted	Yes – l/min depending on Country rules
Control Valve type and designation	High quality Kerox "long life" ceramic (Al <sub>2</sub> O <sub>3</sub> ) disc cartridge for a correct use of water
Relevant Qualitative Features	
Overall Quality	Materials and components used meet the most demanding test and certification requirements worldwide. Parts in contact with water are complying with relevant standards as: <ul style="list-style-type: none"><li>✓ DVGW</li><li>✓ WRC</li><li>✓ NSF</li><li>✓ ACS</li><li>✓ AS/NZS4020</li><li>✓ NSF 61/9 and Annex C NSF/ANSI 61</li></ul>
Lead Ban	The faucet is fully compliant with: <ul style="list-style-type: none"><li>✓ Council Directive 98/83/EC and subsequent updates and transpositions in the various EU member states</li><li>✓ US SDWA S.3874</li><li>✓ AUS AS/NZS 3718</li></ul> <b>NO LEAD AT ALL</b>
Nickel Ban	<b>No nickel leakage</b> suitable for those suffering from DAC and SNAS
Chrome Plating Ban	Contribute to safeguard the environment since <b>it does not require chrome plating</b>
Warranty	5 years guarantee on any manufacturing defects
Production place	100% Made in Italy
Standard of Identity	GENUINOX®



## AVVERTENZE – WARNINGS – AVERTISSEMENTS – WARNUNGEN – ADVERTENCIAS

Questo rubinetto deve essere installato da un idraulico qualificato, a regola d'arte, in accordo con tutte le istruzioni e prescrizioni tecniche qui fornite nonché in conformità alle normative vigenti ed a quanto contenuto nei certificati di garanzia del prodotto. La mancata osservanza di queste indicazioni farà decadere il diritto alla garanzia.



This tap must be installed by a qualified plumber, in a workmanlike manner, in accordance with all instructions and technical requirements provided for herein and in compliance with applicable standards and what contained in the warranty of the product. Failure to do so will render the warranty void.

Ce robinet doit être installé par un plombier qualifié, de façon professionnelle, en conformité avec toutes les instructions et les exigences techniques ici fournies et en conformité avec la réglementation en vigueur et a ce qui est contenu dans la garantie du produit. Le non-respect de ces indications annule la garantie.

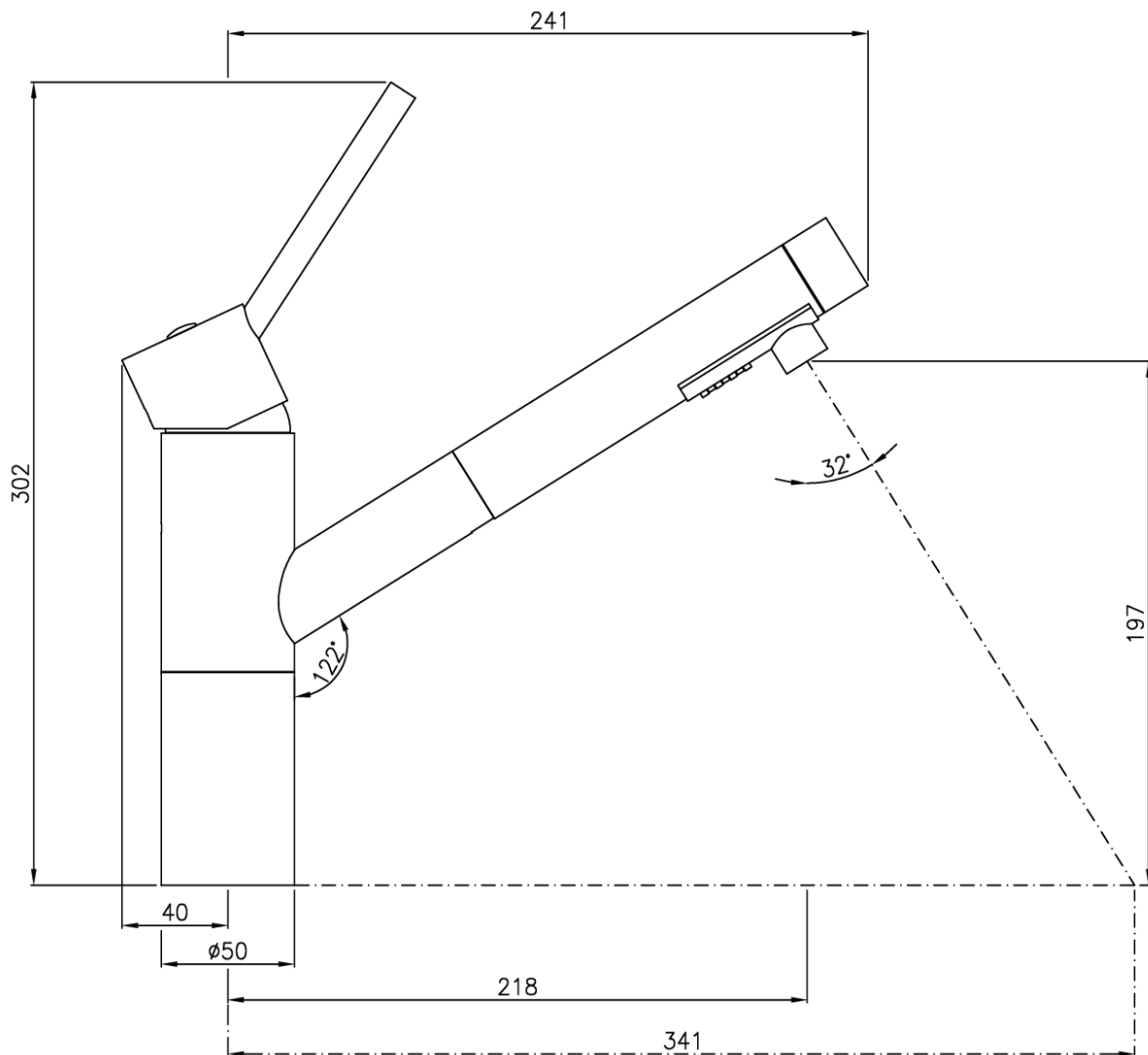
Dieses Armaturen muss von einem qualifizierten Installateur installiert werden fachgerecht in Übereinstimmung mit allen Anweisungen und technischen Anforderungen für hier und in Übereinstimmung mit den geltenden Vorschriften zur Verfügung gestellt und enthalten in der ausdrücklichen Gewährleistung des Produkts. Die Nichtbeachtung dieser Anweisungen führt zum Erlöschen der Garantie.

Este grifo debe ser instalado por un plomero calificado, de manera profesional, de acuerdo con todas las instrucciones y requisitos técnicos establecidos en este documento y de acuerdo con la normativa aplicable y que figura en la garantía del producto. Si no se siguen estas instrucciones, se anulará la garantía.

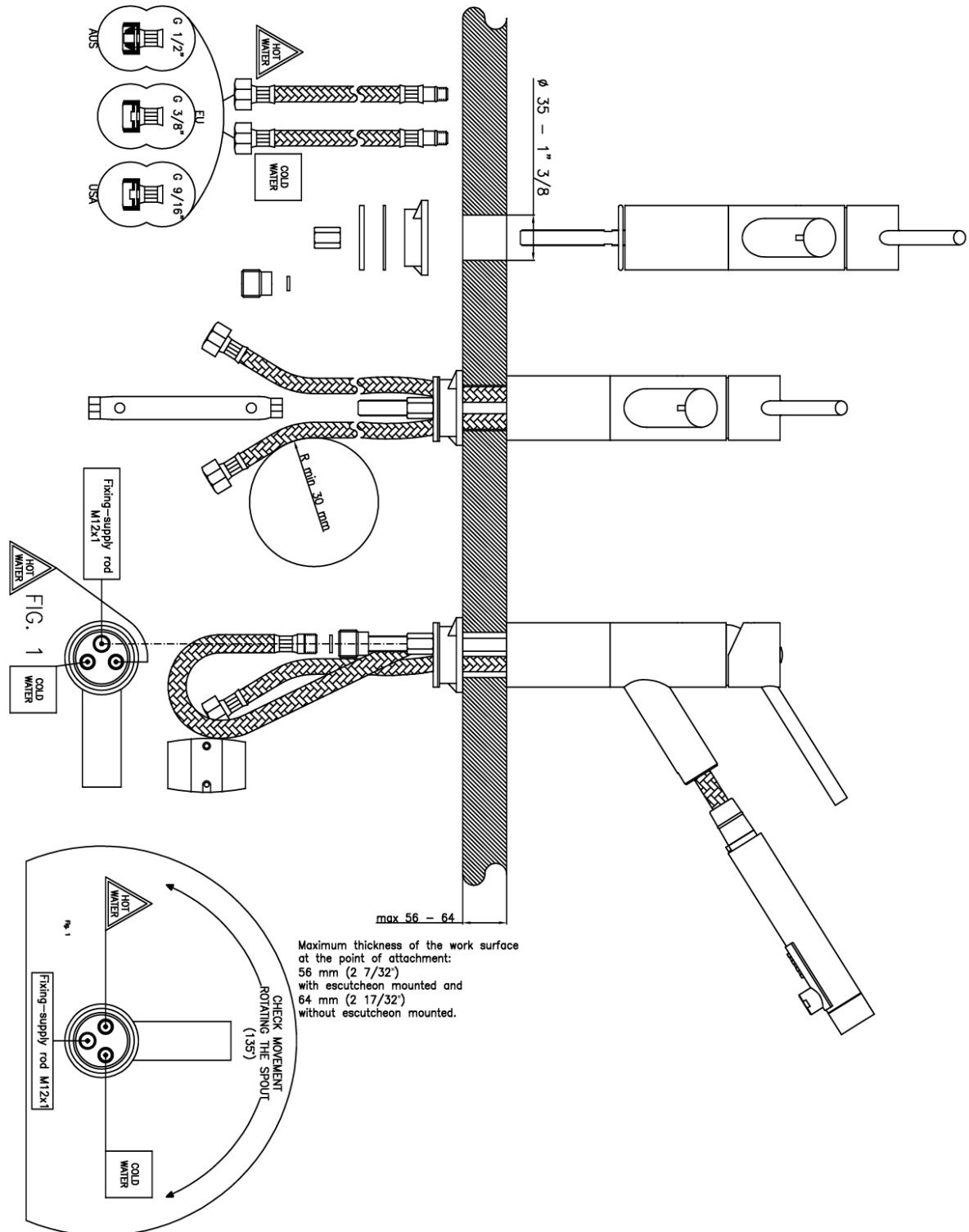
### CHECK LIST AND RECOMMENDATIONS FOR PLUMBERS

1	Temperatura dell'acqua calda in ingresso Temperature of hot water inlet Température de l'eau chaude en entrée Temperatur der Warmwasserversorgung Temperatura del agua caliente en entrada	Raccomandata - Recommended Recommandée – Empfehlen - Recomendada 60 °C (140 °F)	Massima - Maximum Maximale – Maximum - Májima 75 °C (167 °F)
2	Pressione di servizio Operating pressure Pression de service Betriebsdruck Presión de servicio	Raccomandata - Recommended Recommandée – Empfehlen - Recomendada 3 bar (300kPa – 43.5 PSI)	Massima - Maximum Maximale – Maximum - Májima 5 bar (500kPa – 72.5 PSI)
		Minima – Minimum Minimale – Minimum - Mínimo 1 bar (100kPa – 14.5 PSI)	
2.1	PRV	Installare a monte una valvola di riduzione della pressione (PRV) calibrata a: Install upstream a pressure reducing valve (PRV) calibrated at: Installer en amont une clapet de réduction de pression (VRP) calibré à : Installieren Stromaufwärts ein Druckminderventil (PRV) kalibriert bei: Instalar arriba una válvula reductora de presión (PRV) calibrado a:	3 - 3.5 bar 43 - 51 PSI 300 - 350 kPa
3	PBV	Si raccomanda di bilanciare la pressione delle acque calda e fredda. It is recommended to balance the pressure of the hot and cold water. Il est recommandé d'équilibrer la pression de l'eau chaude et froide. Es wird empfohlen den Druck des heißen und kalten Wassers auszugleichen. Se recomienda para equilibrar la presión del agua caliente y fría	
4		Risciacquare accuratamente le tubazioni di alimentazione prima di installare il rubinetto Rinse supply pipes thoroughly before installing the tap, to clear any debris from the supply lines Rincer soigneusement les conduites d'alimentation avant d'installer le robinet Spülen Sie die Versorgungsleitungen vor der Installation der Armatur Enjuague cuidadosamente las líneas de alimentación antes de instalar el grifo	
5		Installare due valvole di intercettazione con filtro tra l'attacco a parete e i tubi flessibili Install two isolating stop valves with filter between the wall attachment and the flexible hoses Installez deux vannes d'isolement avec filtre entre la fixation murale et les tuyaux flexibles Installieren Sie zwei Absperrventile mit Filter zwischen der Wandbefestigung und den flexiblen Schläuchen Instale dos válvulas de aislamiento con filtro entre el accesorio de pared y las mangueras flexibles	

## Overall and installation dimensions



### Overall and installation dimensions



## Installation Guide

**In order to validate the A2F commercial guarantee, this tap must be installed by a qualified plumber, in a workmanlike manner, in accordance with the instructions given below. Failure to do so will render the warranty void.**

### Preparation

1. **Rinse supply pipes thoroughly before installing the tap, to clear any debris from the supply lines (Mandatory).**
2. Install two isolating stop valves (angle valves/undersink taps) with filter between the wall attachment and the flexible hoses (Recommended)

### Check List

1. Temperature of hot water inlet → Recommended: 60 °C (140 °F) <> Maximum: 75 °C (167 °F)
2. Water Pressure → Recommended: 3 bar (300kPa – 43.5 PSI) <> Range from min. 1 bar (100kPa – 14.5 PSI) to max. 5 bar (500kPa – 72.5 PSI)
3. Install upstream a pressure reducing valve (PRV) calibrated at 3/3.5 bar (300/350kPa) (Recommended)
4. Balancing the pressure of hot and cold water (Recommended)
5. Tap installing hole diameter: 35mm (1 3/8")
6. The maximum thickness of the work surface at the point of attachment may be of 56 mm (2 7/32") with escutcheon mounted and 64 mm (2 17/32") without escutcheon mounted.

### Assembling

1. Check movement of spout-body left to right (see fig. 1). Turn the tap upside down.
2. Insert the inlet flexible hoses (26) into the correct holes and tighten by hand. With the spout and the rod in opposite directions, as shown in fig.1, the hot water flexible hose will be on the left and the cold water hose on the right.
3. Insert the pull-out hose (27) through the spout, small fitting male 15x1 first.
4. Introduce the flexible hoses into the hole Ø35 and support the tap in the correct position. Be sure that the gasket sealant (15) is in the correct position under the escutcheon.
5. Position the rod in the opposite side of the sink front. Check for equal spout swivel left to right.
6. Insert onto the fixing-supply rod, in the following order: the white flange (16) (through the latter have to pass also flexible hoses), the horseshoe gasket / mounting flange (17+18) and finally the mounting nut (19) slightly tighten by hand. Make sure the tap is in the correct position, with the spout which turns symmetrically to the right and to the left. Securely tighten the mounting nut (19) using the wrench (33) supplied.
7. Place green fiber washer (20) (11mm – 7/16" Ø) into nipple adapter (21) and tighten it onto the rod.
8. Place rubber washer (22) (18,5mm – ¾" Ø) into check valve housing and tighten it onto nipple adapter (21). (for AU/CA/US market only)
9. Install the hose weight (32) on the spray hose, keep it loose. Adjust after installation.
10. Put the green fiber washer (25) (13,5mm – 9/16" Ø) into small threaded hole of check valve housing (nipple adapter for non AU/CA/US market) and screw-in the male fitting 15x1 of the spray hose; then tighten properly.
11. Connect the two flexible hoses (26) to the water supply (preferably with two stop valves with filter upstream). Hot water flexible hose will be on the left and the cold water hose on the right.
12. Place the rubber washer (22) (18,5mm – ¾" Ø) into the tapered cone of the pull-out hose and attach the hand-spray (28).
13. Turn on water supply (hot and cold).
14. Carefully check the installation for leaks.

### Commissioning

1. Remove the aerator/flow controller and flush the water through the tap for several seconds, to clear any debris from the supply lines and then reinstall the aerator/flow controller.
2. Ensure that the aerator/flow controller incorporated in the outlet is tightened to prevent removal by hand.
3. Run the hot and cold water for a few seconds and ensure that the complete installation is operating correctly before considering accomplished the installation and then use the system.

## IMPORTANT NOTES FOR PLUMBERS

Once the installation is complete, please ensure this document is retained by the Customer.

To safeguard the health of the user and to preserve all hydraulic system components (and the associated equipment) A2F recommends to evaluate the need to install a water softening and filtration system upstream of utilities.





## Care & Maintenance

1. When necessary, clean the tap by using warm water and mild soap and then dry with a soft cloth. Clean matt surfaces in the direction of the grain and not across it.
2. For even better results, purchase the A2F cleaning kit specifically for stainless steel.
3. Never use the following to clean A2F taps:
  - a) disinfectants containing bleach (sodium hypochlorite)
  - b) cleaning products containing chlorides
  - c) products containing acids or alcohol
  - d) powders or abrasive cleaners
  - e) flakes of steel or abrasive sponge;
4. Periodically clean the aerator/flow controller filter

## Spare Parts

For maintenance and/or repair, a qualified plumber must be engaged.

For replacement parts, please contact your supplier or A2F directly by writing to: [customercare.a2f@gmail.com](mailto:customercare.a2f@gmail.com)

## Contacts

For every need or further clarifications please contact your supplier or A2F directly at: [customercare.a2f@gmail.com](mailto:customercare.a2f@gmail.com)



### BOM

